



HOLDING SOLENOIDS

Transmotec sell a broad range of high quality holding solenoids in standard and customized configurations. Transmotec is the ideal supplier source especially to instrument and apparatus builders. We keep a high number of products in stock for immediate delivery.

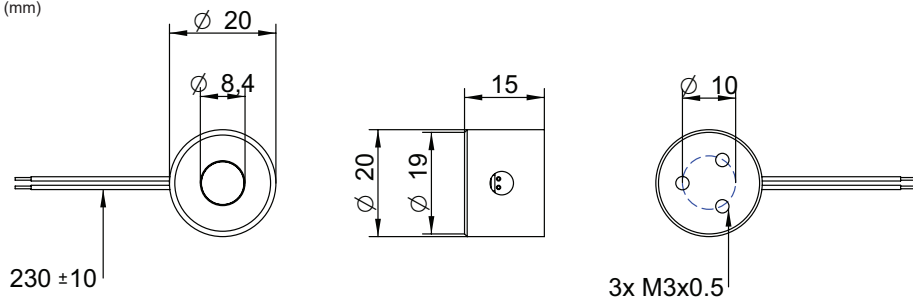
Customizations include:

- ✓ Customized harness
- ✓ Winding configuration
- ✓ And more...

TABLE OF CONTENTS

Model	Diameter	Depth	Voltage	Page
EM2015	20mm	15mm	12V/24V	1
EM2520	25mm	20mm	12V/24V	2
EM3025	30mm	25mm	12V/24V	3
EM4027	40mm	27mm	12V/24V	4
EM5030	50mm	30mm	12V/24V	5
EM5537	55mm	37mm	12V/24V	6
EM7040	70mm	40mm	12V/24V	7

DRAWING (mm)



PHOTO



MODEL NO. DESIGNATION

EM2015 - VOLTAGE

Example: EM2015-12V

SOLENOID DATA

Voltage	12V or 24V
Holding force	approx. 20N
Weight	25g
Nominal power	2.5W

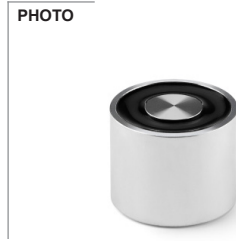
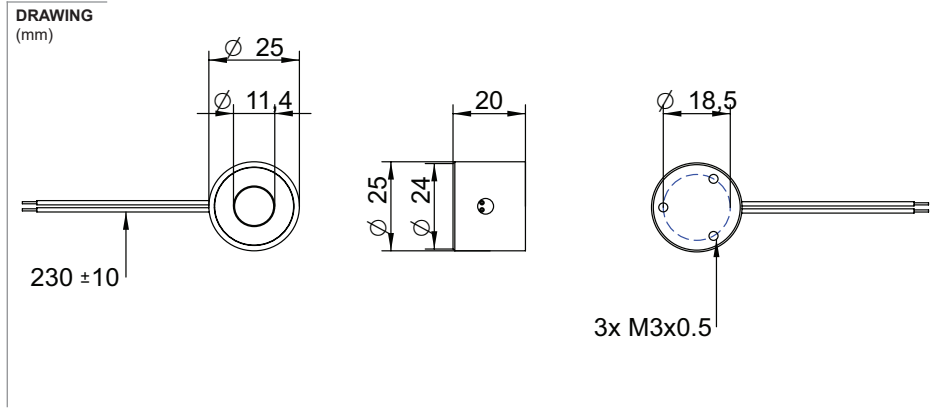
ADDITIONAL DATA

Insulation grade	B
Dielectric withstand test	600V r.m.s.
Duty cycle	100%

SOLENOID FEATURES AND STANDARD DATA

	STANDARD	CUSTOMIZATION OPTIONS
Type	Electromagnet	
Cable	Flying wire 230mm	Length, type and connector
Voltage	12 or 24 VDC @ 100% ED	
Life time	500.000 single strokes	
Operating temperature	-20° ... +45°C	Up to ++180°C
Manufacturing quality standards	ISO9001, IATF16949	
RoHS compliance	Yes	
CE approval	No	
UL approval	No	

EM2520



MODEL NO. DESIGNATION

EM2520 - VOLTAGE

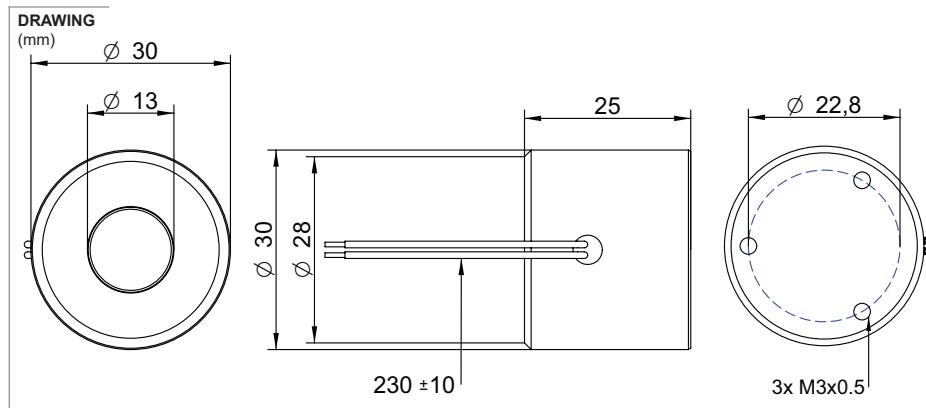
Example: EM2520-12V

SOLENOID DATA	
Voltage	12V or 24V
Holding force	approx. 60N
Weight	50g
Nominal power	4W

ADDITIONAL DATA	
Insulation grade	B
Dielectric withstand test	600V r.m.s.
Duty cycle	100%

SOLENOID FEATURES AND STANDARD DATA		
	STANDARD	CUSTOMIZATION OPTIONS
Type	Electromagnet	
Cable	Flying wire 230mm	Length, type and connector
Voltage	12 or 24 VDC @ 100% ED	
Life time	500.000 single strokes	
Operating temperature	-20° ... +45°C	Up to +180°C
Manufacturing quality standards	ISO9001, IATF16949	
RoHS compliance	Yes	
CE approval	No	
UL approval	No	

EM3025



PHOTO



MODEL NO. DESIGNATION

EM3025 - VOLTAGE

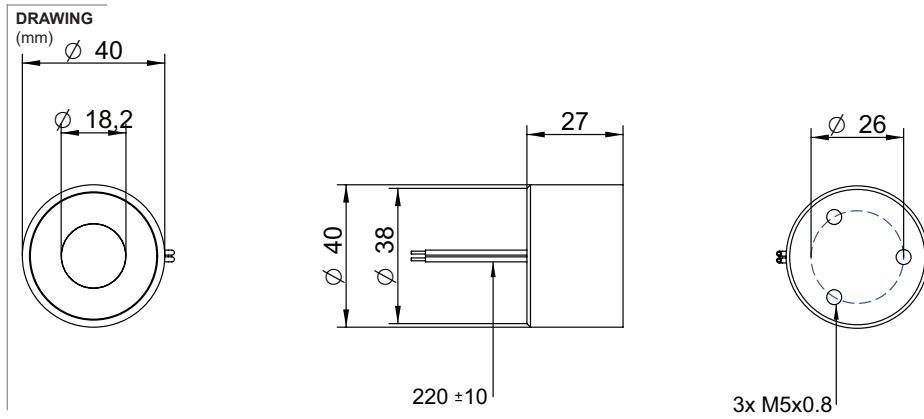
Example: EM3025-12V

SOLENOID DATA	
Voltage	12V or 24V
Holding force	approx. 100N
Weight	130g
Nominal power	3,8W

ADDITIONAL DATA	
Insulation grade	B
Dielectric withstand test	600V r.m.s.
Duty cycle	100%

SOLENOID FEATURES AND STANDARD DATA		
	STANDARD	CUSTOMIZATION OPTIONS
Type	Electromagnet	
Cable	Flying wire 230mm	Length, type and connector
Voltage	12 or 24 VDC @ 100% ED	
Life time	500.000 single strokes	
Operating temperature	-20° ... +45°C	Up to +180°C
Manufacturing quality standards	ISO9001, IATF16949	
RoHS compliance	Yes	
CE approval	No	
UL approval	No	

EM4027



PHOTO



MODEL NO. DESIGNATION

EM4027 - VOLTAGE

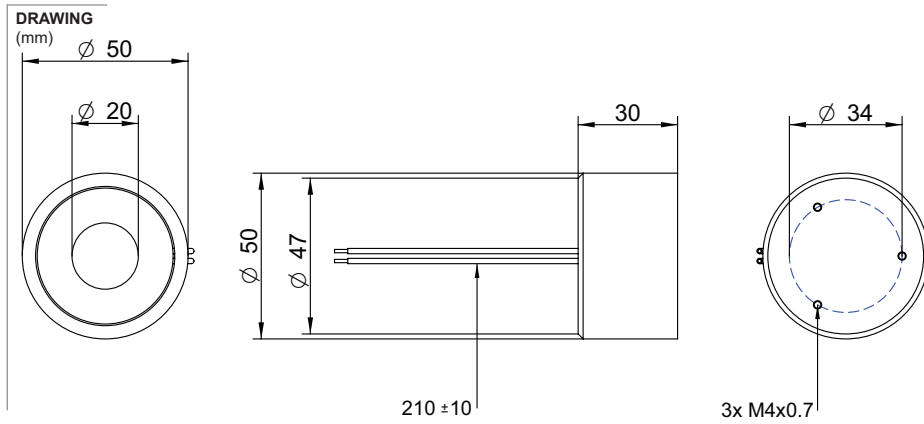
Example: EM4027-12V

SOLENOID DATA	
Voltage	12V or 24V
Holding force	approx. 200N
Weight	230g
Nominal power	6W

ADDITIONAL DATA	
Insulation grade	B
Dielectric withstand test	600V r.m.s.
Duty cycle	100%

SOLENOID FEATURES AND STANDARD DATA		
	STANDARD	CUSTOMIZATION OPTIONS
Type	Electromagnet	
Cable	Flying wire 220mm	Length, type and connector
Voltage	12 or 24 VDC @ 100% ED	
Life time	500.000 single strokes	
Operating temperature	-20° ... +45°C	Up to +180°C
Manufacturing quality standards	ISO9001, IATF16949	
RoHS compliance	Yes	
CE approval	No	
UL approval	No	

EM5030



PHOTO



MODEL NO. DESIGNATION

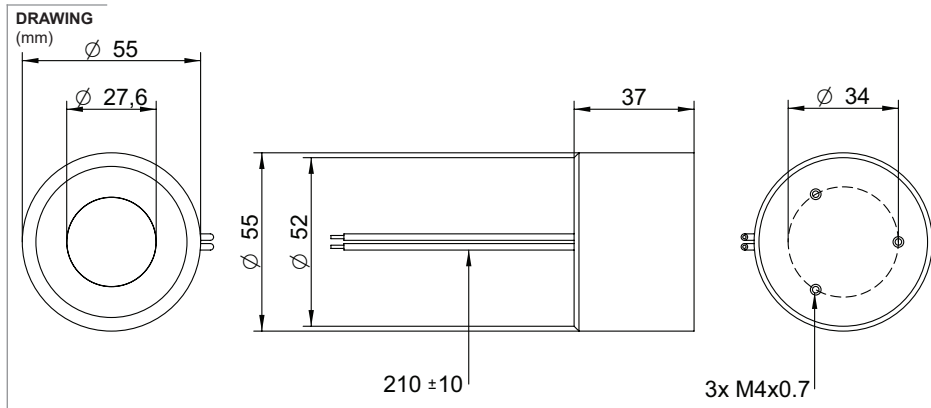
EM5030 - VOLTAGE

Example: EM5030-12V

SOLENOID DATA	
Voltage	12V or 24V
Holding force	approx. 600N
Weight	350g
Nominal power	11W

ADDITIONAL DATA	
Insulation grade	B
Dielectric withstand test	600V r.m.s.
Duty cycle	100%

SOLENOID FEATURES AND STANDARD DATA		
	STANDARD	CUSTOMIZATION OPTIONS
Type	Electromagnet	
Cable	Flying wire 210mm	Length, type and connector
Voltage	12 or 24 VDC @ 100% ED	
Life time	500.000 single strokes	
Operating temperature	-20° ... +45°C	Up to +180°C
Manufacturing quality standards	ISO9001, IATF16949	
RoHS compliance	Yes	
CE approval	No	
UL approval	No	



PHOTO



MODEL NO. DESIGNATION

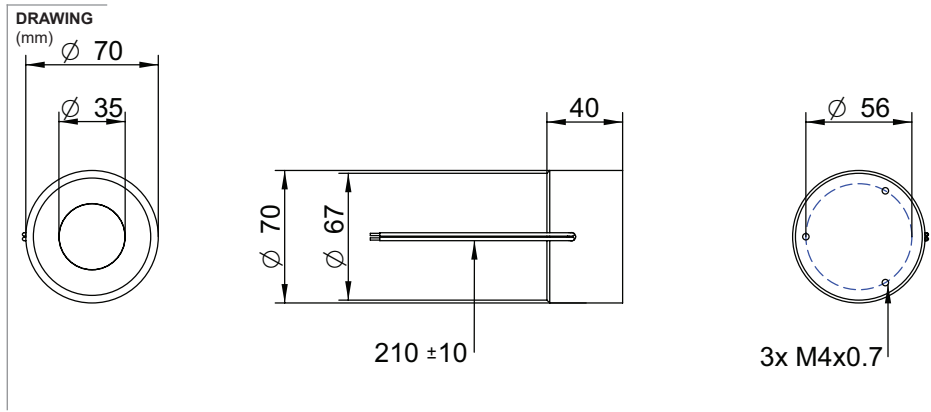
EM5537 - VOLTAGE

Example: EM5537-12V

SOLENOID DATA	
Voltage	12V or 24V
Holding force	approx. 800N
Weight	550g
Nominal power	10W

ADDITIONAL DATA	
Insulation grade	B
Dielectric withstand test	600V r.m.s.
Duty cycle	100%

SOLENOID FEATURES AND STANDARD DATA		
	STANDARD	CUSTOMIZATION OPTIONS
Type	Electromagnet	
Cable	Flying wire 210mm	Length, type and connector
Voltage	12 or 24 VDC @ 100% ED	
Life time	500.000 single strokes	
Operating temperature	-20° ... +45°C	Up to +180°C
Manufacturing quality standards	ISO9001, IATF16949	
RoHS compliance	Yes	
CE approval	No	
UL approval	No	



PHOTO



MODEL NO. DESIGNATION

EM7040 - VOLTAGE

Example: EM7040-12V

SOLENOID DATA	
Voltage	12V or 24V
Holding force	approx. 1200N
Weight	800g
Nominal power	19W

ADDITIONAL DATA	
Insulation grade	B
Dielectric withstand test	600V r.m.s.
Duty cycle	100%

SOLENOID FEATURES AND STANDARD DATA		
	STANDARD	CUSTOMIZATION OPTIONS
Type	Electromagnet	
Cable	Flying wire 210mm	Length, type and connector
Voltage	12 or 24 VDC @ 100% ED	
Life time	500.000 single strokes	
Operating temperature	-20° ... +45°C	Up to +180°C
Manufacturing quality standards	ISO9001, IATF16949	
RoHS compliance	Yes	
CE approval	No	
UL approval	No	