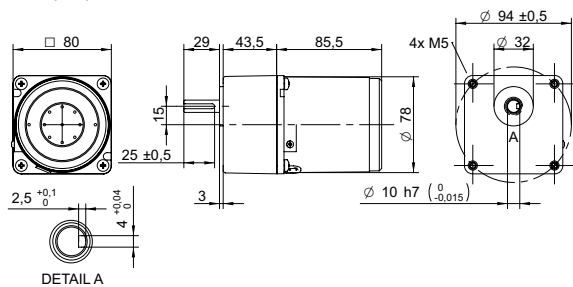
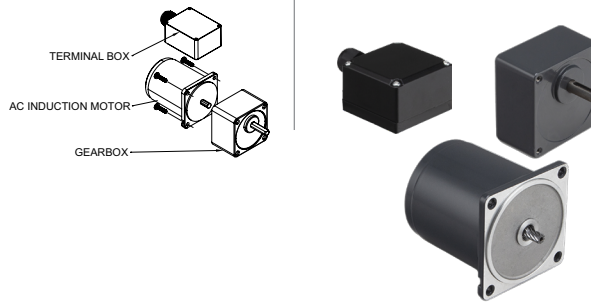


DRAWING (mm)

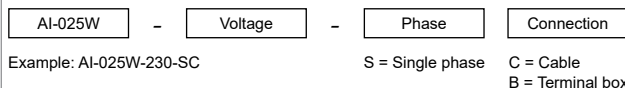


AC induction motor and gearbox also sold separately.

PHOTO



MODEL NO. DESIGNATION



ACCESSORIES¹



● C = customizations are offered on demand even for smaller quantities. Typical customizations are indicated with a green dot at column end. Please contact us for any customization request.

GEAR MOTOR DATA C

Gear ratio		3	3.6	5	6	7.5	9	10	12.5	15	18	20	25	30	36	40	50	60	75	90	100	120	150	180	200	250	300	500	600	750	
Nominal torque	Nm	0.49	0.58	0.81	0.97	1.2	1.5	1.6	2.0	2.4	2.9	2.9	3.7	4.4	5.3	5.8	7.3	7.9	8.0 ²	8.0 ²	8.0 ²	8.0 ²	8.0 ²	8.0 ²	8.0 ²	8.0 ²	8.0 ²	8.0 ²	8.0 ²	8.0 ²	●
Nominal speed	rpm	420	350	250	210	170	140	130	100	83	69	63	50	42	35	31	25	21	17	14	13	10	8	7	6	5	4	3	2	2	
Nominal power	W	21	21	21	21	21	21	21	21	21	19	19	19	19	19	19	19	17	14	12	10	8.7	7.0	5.8	5.2	4.2	3.5	2.1	1.7	1.4	
Gearb. nom. torq. ³	Nm	8	8	8	8	8	8	8	8	8	8	8	8	8	8	8	8	8	8	8	8	8	8	8	8	8	8	8	8	8	
Gearbox efficiency	%	81	81	81	81	81	81	81	81	81	81	73	73	73	73	73	73	66	66	66	66	66	66	66	66	59	59	59	59	59	
Radial load ⁴	N	150	150	150	150	150	150	150	150	150	300	300	300	300	300	300	300	300	300	300	300	300	300	300	300	300	300	300	300	300	
Direction of rot.		CW	CW	CW	CW	CW	CW	CW	CW	CW	CW	CW	CCW	CCW	CCW	CCW	CCW	CW	CW	CW	CW	CW	CW	CW	CW	CW	CCW	CCW	CCW	CCW	CCW
Weight	kg	2.4	2.4	2.4	2.4	2.4	2.4	2.4	2.4	2.4	2.4	2.4	2.4	2.4	2.4	2.4	2.4	2.4	2.4	2.4	2.4	2.4	2.4	2.4	2.4	2.4	2.4	2.4	2.4	2.4	

OTHER GEAR MOTOR DATA C

Service life	h	10000
Performance tolerances		± 15
Operating temperature	°C	-10 to 40
IP rating ⁵		IP20 IP54
Manufacturing standard		ISO 9001
CE label UL label		Yes No

GEARBOX DATA C

Shaft axial load	N	50
Bearing type		Ball bearing
Shaft material		40 Cr steel
Housing material		Aluminum
Material gear stage		40 Cr steel

AC INDUCTION MOTOR DATA C

Nominal voltage	V	230
No. of phases		1
Frequency	Hz	50
No. of poles		4
Nominal speed	rpm	1300
Nominal torque	mNm	200
Nominal current	A	0.23
Nominal power	W	25
Stall torque	mNm	120
Insulation class		B
Motor cable		AWG20
Motor cable length	mm	300
Capacitor included in delivery	µF	1.8
Insulation resistance	MΩ	100
Dielectric strength	kV	1.5
Max. winding temperature	°C	80
Weight	kg	1.6

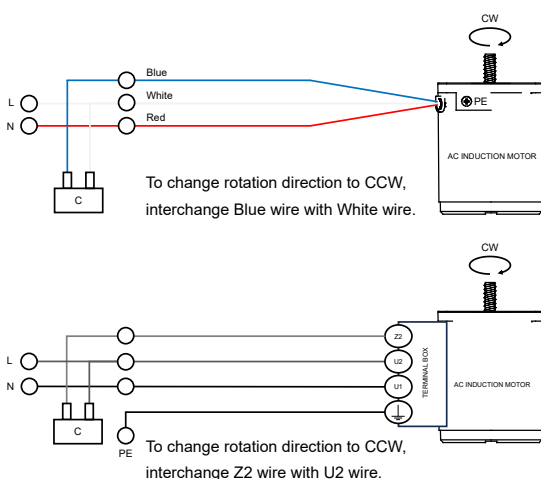
GEAR MOTOR RANGE AI-SERIES¹

Nominal voltage	V	See separate datasheet
Nominal power	W	See separate datasheet
Dimension	mm	See separate datasheet

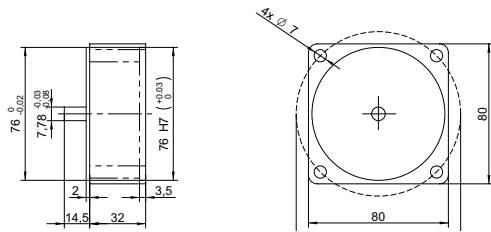
NOTES

1. See page 2 of this datasheet.
2. Gear motor torque limited by gearbox.
3. Gearbox nominal torque.
4. 20 mm from shaft.
5. IP20 without terminal box, IP54 with terminal box.
6. Cables/wires for connecting terminal box not included with AC induction motor.
7. Visit www.transmotec.com to view datasheets.

WIRING DIAGRAM AC INDUCTION MOTOR⁶



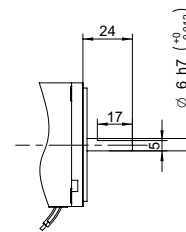
DECIMAL GEARBOX¹



DECIMAL GEARBOX DATA

Model designation	S80A-Y010
Gear ratio	10:1
Nominal torque	Nm 8
Description	Connected between AC motor and existing gearbox to decrease the speed further than the gear ratio listed in the table.

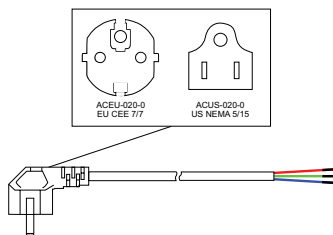
OUTPUT SHAFT D-CUT



DECIMAL GEARBOX DATA

Model designation Contact us for more information.

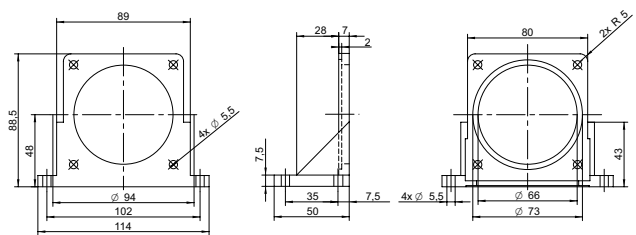
POWER CABLE



POWER CABLE DATA

Model designation	ACEU-020-0 ACUS-020-0
Standard	EU CEE 7/7 US NEMA 5/15
Cable length	m ft 2 8

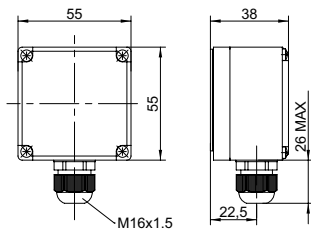
MOUNTING BRACKET



MOUNTING BRACKET DATA

Model designation	AMB-080
Dimensions	mm 80x80

TERMINAL BOX



TERMINAL BOX DATA

Model designation See model no. designation to order correct part number.

NOTES

1. Visit www.transmotec.com to view datasheets.